

# Type 720 Diaphragm Valves



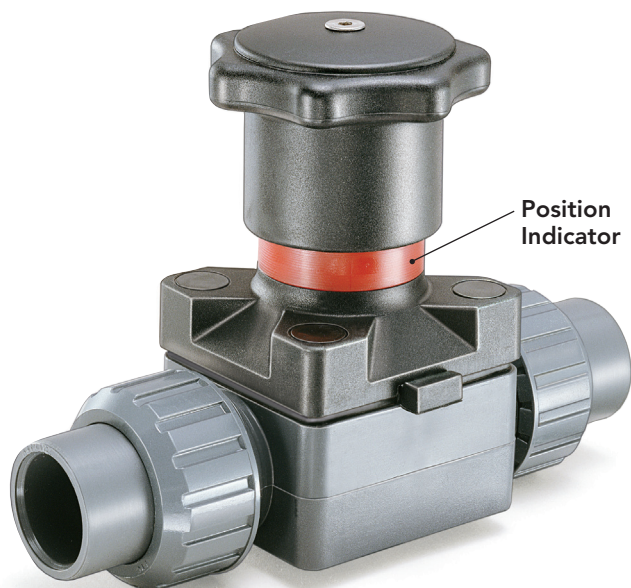
## manual operation

SERIES: Type 720

SIZES: 3/8", 1/2"

ENDS: True Union Socket, Threaded or ChemFlare™<sup>1</sup> Spigot<sup>2</sup> bodies with Plain, Socket, Threaded or Flanged ends

DIAPHRAGMS: EPDM<sup>3</sup>, FKM-B (Viton®) or PTFE



True Union Body

The Chemline Type 720 Manually Operated Diaphragm Valve features compact size a large variety of body materials and end connections. It is much smaller than other 1/2" diaphragm valves.

This is a good throttling valve and is suitable for sanitary or slurry applications. With a PTFE diaphragm, it has corrosion resistance superior to a ball valve.

When a few manual valves are required on a system using the pneumatically actuated Type 710, the Type 720 is a good choice because the bodies and diaphragms are interchangeable.

## features

### Pressure rated to 90 psi

- 90 psi at 20°C for all materials

### Solid Plastic Body and Actuator

- Light weight
- Corrosion resistant inside and out

### Excellent for Sanitary Applications

- Self draining
- PVDF and unpigmented PP bodies are approved for food applications
- Sanitary Tri-clamp end connections are available

### Butt Fusion Ends available

- Spigot bodies are available in 1/2" for direct butt fusion into Chemline PP and PVDF piping systems. All mechanical connections may be eliminated.

### Adjustable Travel Stop

- Prevents excessive pressure on diaphragm, extending life

### Sealed Handwheel

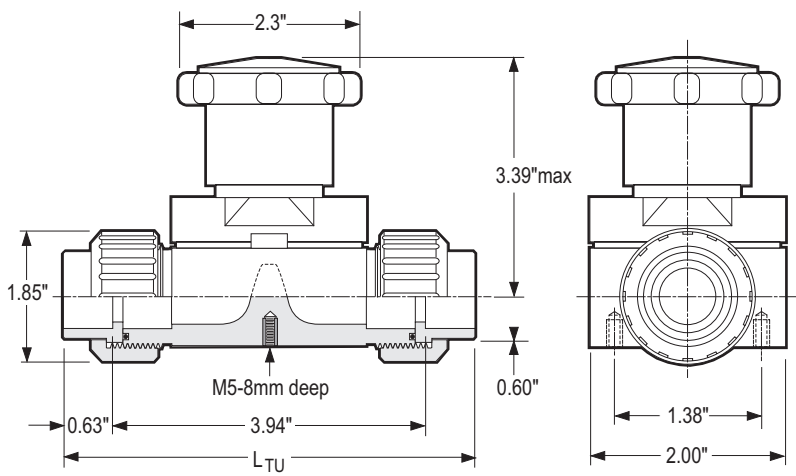
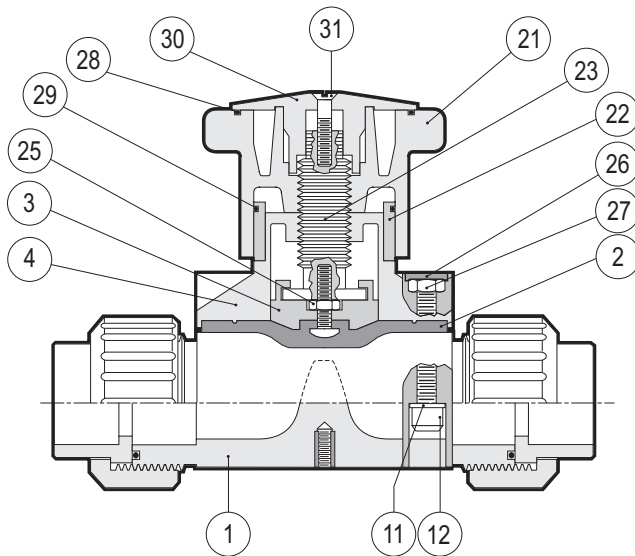
- Protects the stem from corrosive atmosphere

<sup>1</sup> For ChemFlare™ end connectors, consult Chemline.

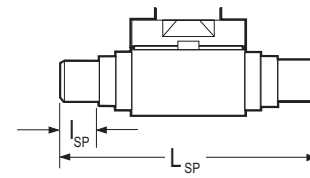
<sup>2</sup> PP and PVDF spigot ends have metric dimensions and will butt fuse directly to Chemline PP and PVDF piping systems. PVC spigots are ANSI.

<sup>3</sup> Epoxy cured EPDM

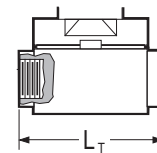
# Type 720 Diaphragm Valves



True Union Body



Spigot Body



Female Threaded Body

## PARTS

▲ Recommended Spare Parts

| No. | Part                      | Pcs. | Materials                     |
|-----|---------------------------|------|-------------------------------|
| 1   | Body                      | 1    | PVC, PP, PVDF<br>CPVC         |
| 2▲  | Diaphragm                 | 1    | EPDM, FKM-B<br>(Viton®), PTFE |
| 3   | Compressor                | 1    | PPS <sup>1</sup>              |
| 4   | Bonnet                    | 1    | PPS <sup>1</sup>              |
| 11  | Washer                    | 4    | 304 SS                        |
| 12  | Socket Head Bolt          | 4    | 304 SS                        |
| 21  | Handwheel                 | 1    | PPS <sup>1</sup>              |
| 22  | Position Indicator Collar | 1    | PVDF                          |
| 23  | Stem                      | 1    | 304 SS                        |
| 25  | Hex Nut                   | 1    | 304 SS                        |
| 26  | Bolt Cap                  | 4    | POM                           |
| 27  | Hex Nut                   | 4    | 304 SS                        |
| 28  | Handwheel O-Ring (upper)  | 1    | FKM-B (Viton®)                |
| 29  | Handwheel O-Ring (lower)  | 1    | FKM-B (Viton®)                |
| 30  | Handwheel Cap             | 1    | PPS <sup>1</sup>              |
| 31  | Handwheel Screw           | 1    | 304 SS                        |

<sup>1</sup>PPS = Polyphenylene sulfide

## DIMENSIONS INCHES

## Cv VALUES

| Size | Union Soc<br>L <sub>TU</sub> | Spig<br>L <sub>SP</sub> | Thd<br>L <sub>T</sub> | USGPM at<br>1 psi ΔP |
|------|------------------------------|-------------------------|-----------------------|----------------------|
| 3/8" | 5.12                         | 4.88                    | 2.91                  | 3.3                  |
| 1/2" | 5.12                         | 4.88                    | 2.91                  | 4.1                  |

## ORDERING EXAMPLE

|                           |  |     |   |   |   |
|---------------------------|--|-----|---|---|---|
| Chemline Diaphragm Valves | 720  | 005 | A | E | U |
| Size                      | 003 – 3/8" 005 – 1/2"  |     |   |   |   |
| Body Material             | A – PVC B – PP C – CPVC K – PVDF                                     |     |   |   |   |
| Diaphragm                 | E – EPDM B – Nitrile V – FKM-B (Viton®) P – PTFE                     |     |   |   |   |
| Ends                      | Blank – Spigot (Butt) T – Threaded U – Union Socket CFx – ChemFlare™ |     |   |   |   |

**Example:** Chemline Type 720 Diaphragm Valve, 1/2" PVC body, EPDM diaphragm, Socket Union ends.

x = 4 for 1/4", 6 for 3/8", 8 for 1/2" ID tube connections.