

Globe Valves



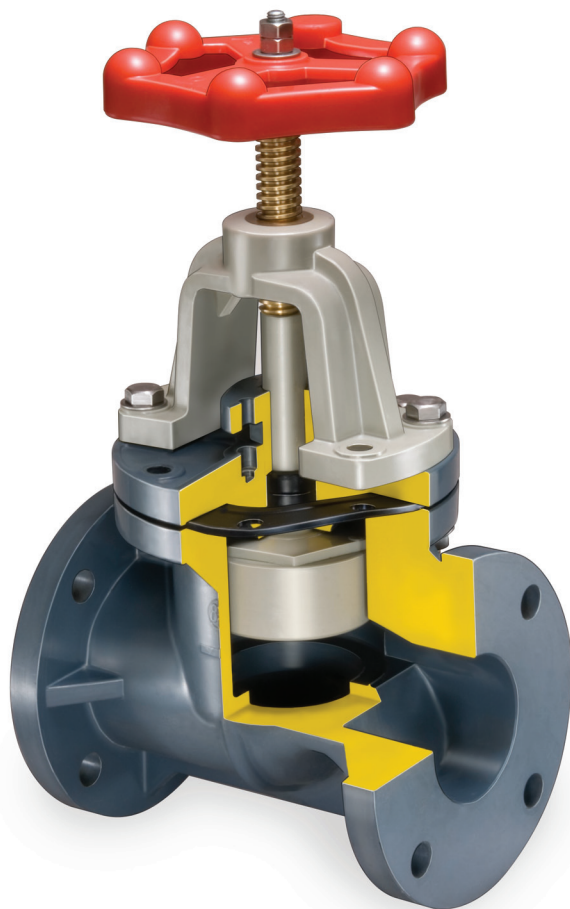
CRN
Registered
Consult Ontario

SERIES: GV

SIZES: 1/2" – 4"

ENDS: Socket, Threaded¹, Flanged

SEALS: EPDM²



2-1/2" – 4" Outside Spindle and Yolk Type

The Chemline Globe Valve is an economical throttling valve. Its heavy duty design provides for long service life. The in-line globe design causes relatively high pressure drops, however this is a desirable valve due to its economy and reliability.

Features

Slow Closing

- Prevents water hammer in PVC piping

Heavy Duty Construction

- Long service life

• An economical throttling valve

CRN Registration numbers by province

- Ontario: OC11045.5
- Newfoundland: OC11045.50
- Saskatchewan/Manitoba/Quebec: OC11045.56
- New Brunswick: OC11045.57
- Nova Scotia: OC11045.58
- P.E.I.: OC11045.59
- British Columbia: not required
- Alberta: not required³

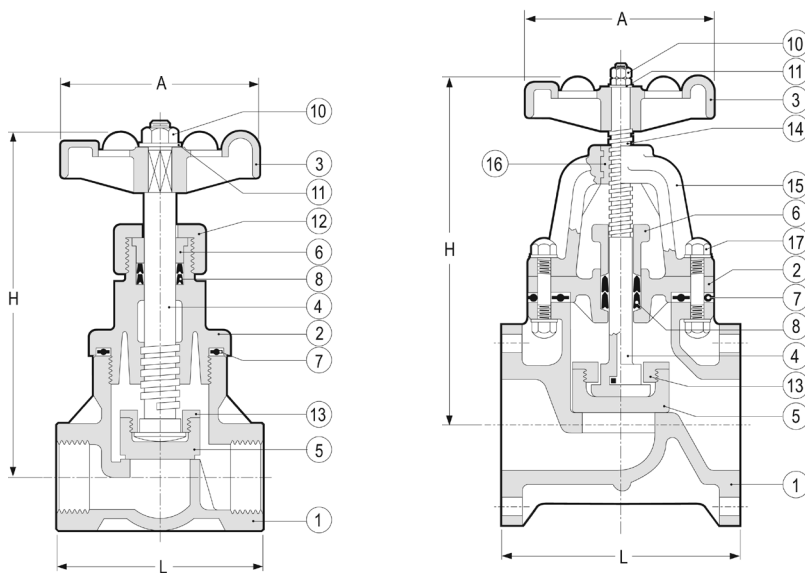


Union Bonnet Design 1/2" – 2"

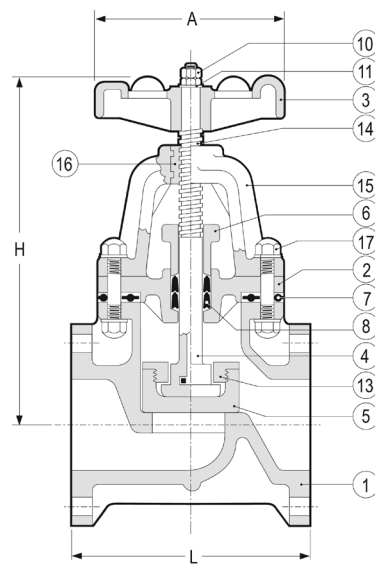
¹ Socket ends are available custom basis.

² Other seal materials are available special order.

³ Not required for non-expandable fluids.



1/2" – 2" Valves



2-1/2" – 4" Valves

PARTS

▲ Recommended Spare Parts

No.	Part	Pcs.	Materials
1	Body	1	PVC, PP
2	Bonnet	1	PVC, PP
3	Handwheel	1	PP
4	Stem	1	PVC, PP
5	Disc	1	PP
6	Gland	1	PVC, PP
7▲	Bonnet Seal	1	EPDM
8▲	Stem Packing	2	EPDM
10	Nut	1	PVC
11	Washer	1	PVC
12	Gland Nut	1	PVC, PP
13	Disc Retainer	1	PP
14	Stem Top ¹	1	Brass, 400 SS
15	Yolk	1	PP
16	Yolk Sleeve	1	Bronze
17	Bolt & Nut	8 sets	304 SS
18	Stud & Nut	2 sets	304 SS

¹Stem top for valves up to 2" stem are brass. For valves 2-1/2" to 4" stem tops are 400 SS.

DIMENSIONS INCHES

Cv VALUES VS % OPEN

WEIGHTS LB.

Size	A	L Soc	L ² Thd	L ³ Flg	H Open	Valve Opening (%)					No. Turns to Open	PVC Soc/Thd	PVC Flg	PP Thd	PP Flg
						20	40	60	80	100					
1/2"	2.6	4.33	3.35	5.3	5.3	2.6	3.5	3.9	4.0	4.1	2.75	0.64	1.0	0.37	0.66
3/4"	2.6	5.12	3.74	6.0	5.5	4.0	5.5	6.1	6.3	6.4	3.25	1.1	1.3	0.55	0.84
1"	3.6	5.19	4.33	6.8	6.4	6.1	8.4	9.2	9.5	9.7	3.25	1.1	2.2	0.77	1.3
1-1/4"	3.6	–	5.32	8.2	6.6	11.3	15.5	17.1	17.7	18.0	2.50	1.3	2.9	–	–
1-1/2"	5.3	–	5.51	8.4	9.1	13.8	19.0	20.9	21.6	22.0	3.75	2.6	4.6	–	2.9
2"	5.3	–	7.09	11.0	9.9	18.2	25.0	27.5	28.5	29.0	3.25	3.5	5.7	–	3.5
2-1/2"	7.3	–	–	8.7	13.6	35.7	49.2	54.1	56.1	57.0	7.50	–	13.0	–	11.0
3"	7.3	–	–	9.5	14.1	48.9	67.3	74.1	76.7	78.0	7.50	–	15.0	–	11.0
4"	7.3	–	–	11.4	16.5	72.1	99.2	109.0	113.0	115.0	8.50	–	22.0	–	18.0

Note: 1-1/4" size is not available in PP. ²Threaded ends are available in PVC 1/2" to 2" and PP 1/2" to 1".

³L Flanged is for fabricated flanged valves normally supplied 1/2" to 2". Solid flanged (special order) 1/2" to 2" valves have shorter dimensions. Consult Chemline.

WORKING PRESSURES PSI

Size	PVC			Polypropylene		
	0-20°C 32-68°F	40°C 104°F	50°C 122°F	-20-20°C -4-68°F	60°C 140°F	80°C 176°F
1/2" – 1-1/2"	150	105	105	105	90	65
2"	150	105	90	105	70	40
2-1/2" – 3"	150	105	90	105	60	35
4"	150	80	65	105	60	35

Temperature Ranges: PVC 0 to 60°C (32 to 140°F), PP -20 to 90°C (-4 to 194°F).

ORDERING EXAMPLE

Chemline Globe Valves	GV	A	015	T
Body Material	A – PVC B – Polypropylene			
Size	005 – 1/2" 007 – 3/4" 010 – 1" 012 – 1-1/4" 015 – 1-1/2" 020 – 2" 025 – 2-1/2" 030 – 3" 040 – 4"			
Ends	S – Socket T – Threaded F – Flanged			

Example: Chemline Globe Valve, PVC, 1-1/2", threaded ends.

VACUUM RATING

• 29.9 inches mercury

ACCESSORY

• Handwheel lockout