

SB17 Mini Back Pressure/Relief Valves



SERIES: SB17

SIZES: 1/4" – 3/8"

ENDS: Socket, Threaded or ChemFlare™¹

DIAPHRAGM: PTFE Bonded EPDM

O-RINGS: EPDM, FPM (Viton®)



Chemline HC Series is a true large port 6" ball valve manufactured in PVC, polypropylene and PVDF. Most other 6" valves often are 4" with ends increased to 6". HC Series offers an unobstructed full port which allows passage of mechanical pipe cleaners or "pigs". Applications include unfiltered sea water and sewage lines. It is also suitable for mild slurries and vacuum lines.

Features

True Union Ends

- Easy installation and maintenance
- Eliminate chemical leakage problems common with old fashioned threaded connections

Flow Rates

- Up to 500 l/hr

Recommended Viscosity

- Recommended for services with a maximum viscosity of 400cP

CRN Registration numbers by province

- Ontario: OC10134.5
- Newfoundland: OC10134.50
- Alberta: OC10134.52
- Saskatchewan/Manitoba/Quebec: OC10134.56
- New Brunswick: OC10134.57
- Nova Scotia: OC10134.58
- P.E.I.: OC10134.59
- British Columbia: not required

technical

Set Pressure Range

- 7.5 to 150 psi

Flow Rates

- Up to 500 l/hr (2.2 USGPM)

Maximum Viscosity:

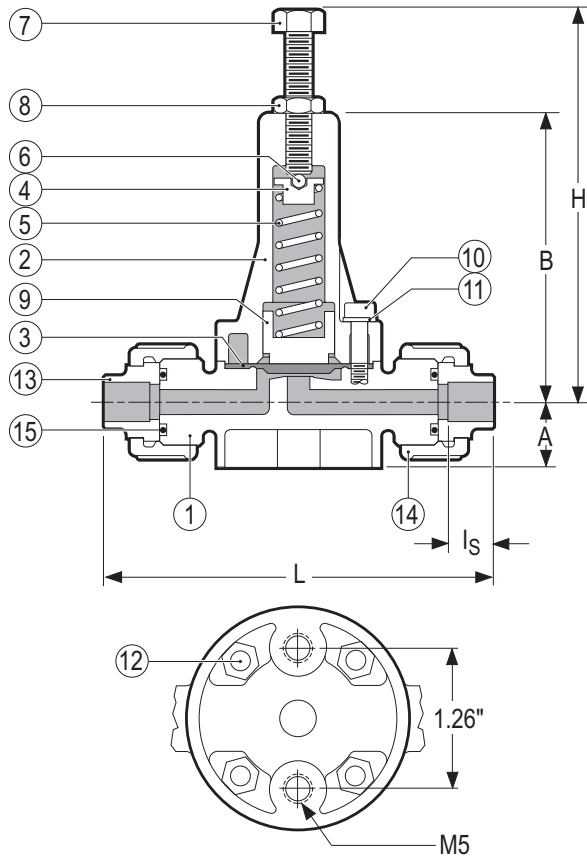
- 400cP is maximum recommended service viscosity



Optional ChemFlare™ End Connections

¹ For details on ChemFlare™ End Connectors, consult Chemline.

SB17 Mini Back Pressure/Relief Valves



PARTS

▲ Recommended Spare Parts

No.	Part	Pcs.	Materials
1	Body	1	PVC, PP, PVDF
2	Bonnet	1	PPG
3▲	Diaphragm	1	PTFE bonded EPDM
4	Spring Plate	1	Cadmium Plated Steel
5	Spring	2	Galvanized Steel
6	Ball	1	304 SS
7	Spring Tensioning Bolt	1	304 SS
8	Lock Nut	1	304 SS
9	Pressure Plate	1	Cadmium Plated Steel
10	Socket Head Bolt	4	304 SS
11	Washer	4	304 SS
12	Nut	4	304 SS
13	End Connector	2	PVC, PP, PVDF
14	Union Nut	2	PVC, PP, PVDF
15▲	Face O-Ring	2	EPDM, FPM(Viton®)

DIMENSIONS INCHES

WEIGHTS LBS.

Size	A	B	H	Is	L ¹	ChemFlare™		PVC	PP	PVDF
						L _{CF}	Tube ID			
1/4"	0.80	3.50	4.72	0.67	4.70	5.84	1/4"	0.5	0.4	0.6
3/8"	0.80	3.50	4.72	0.67	4.70	6.00	3/8"	0.5	0.4	0.6

¹For socket or threaded

MAXIMUM PRESSURES PSI

Size	PVC				PP					PVDF						
	20°C 68°F	30°C 86°F	40°C 104°F	50°C 122°F	20°C 68°F	30°C 86°F	40°C 104°F	50°C 122°F	60°C 140°F	70°C 158°F	30°C 86°F	50°C 122°F	70°C 158°F	80°C 176°F	90°C 194°F	100°C 212°F
1/4"	150	100	60	15	150	120	90	60	37.5	15	150	100	60	40	25	15
3/8"	150	100	60	15	150	120	90	60	37.5	15	150	100	60	40	25	15

Temperature Ranges: PVC 0 to 50°C (32 to 122°F), PP -20 to 70°C (-4 to 158°F), PVDF -40 to 100°C (-40 to 212°F).

ORDERING EXAMPLE

Chemline Mini Back Pressure/Relief Valves	SB17	A	003	E	UT
Body Material	A - PVC B - PP K - PVDF				
Size	002 - 1/4" 003 - 3/8"				
O-Ring	E - EPDM V - FPM (Viton®)				
Ends	T - Threaded S - Socket B - Butt CF4 - ChemFlare™ 1/4" tube CF6 - ChemFlare™ 3/8" tube				

Example: Chemline SB17 Series, PVC, 3/8" diameter, PTFE bonded EPDM diaphragm, EPDM O-ring, True Union threaded ends.